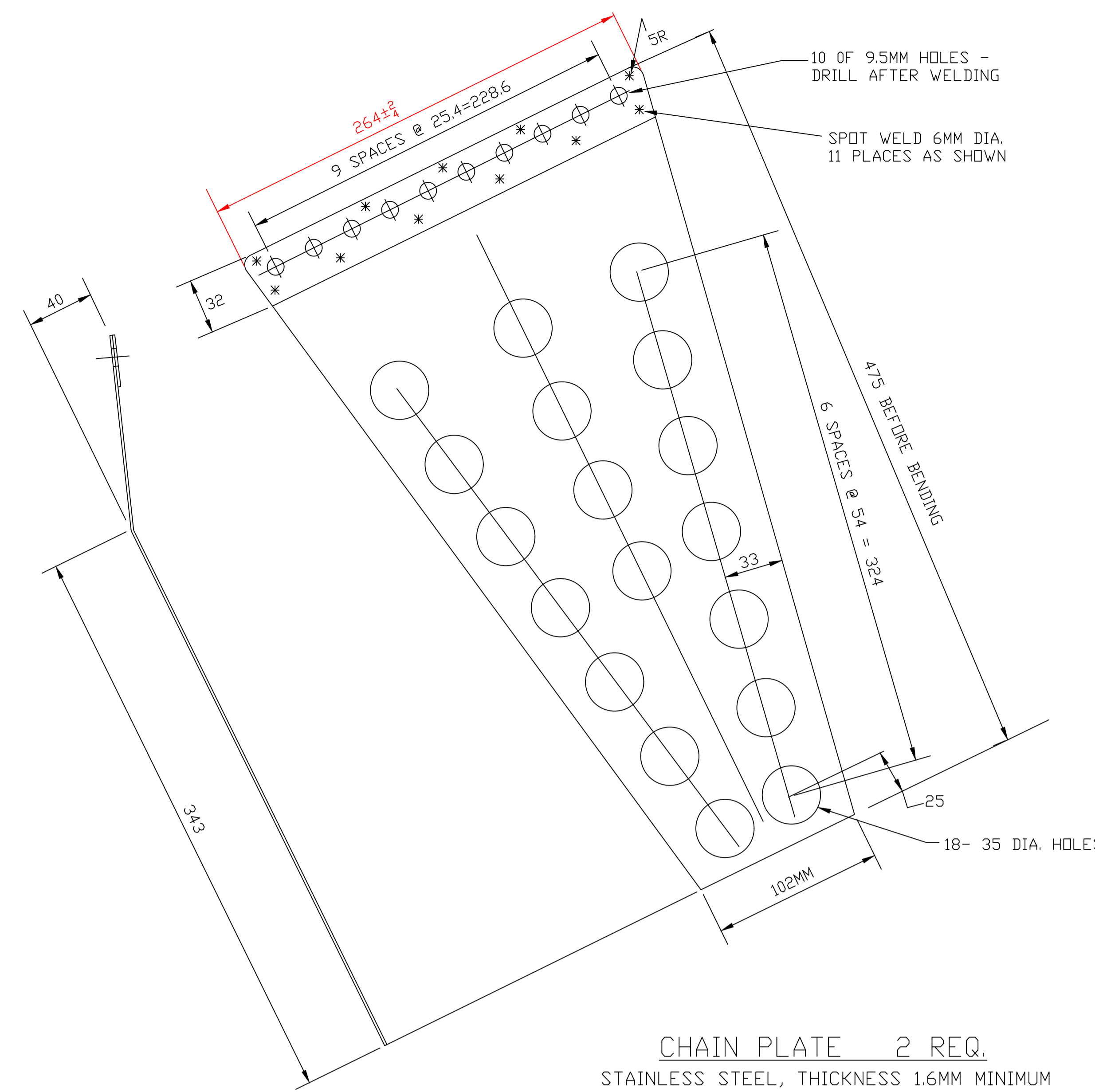
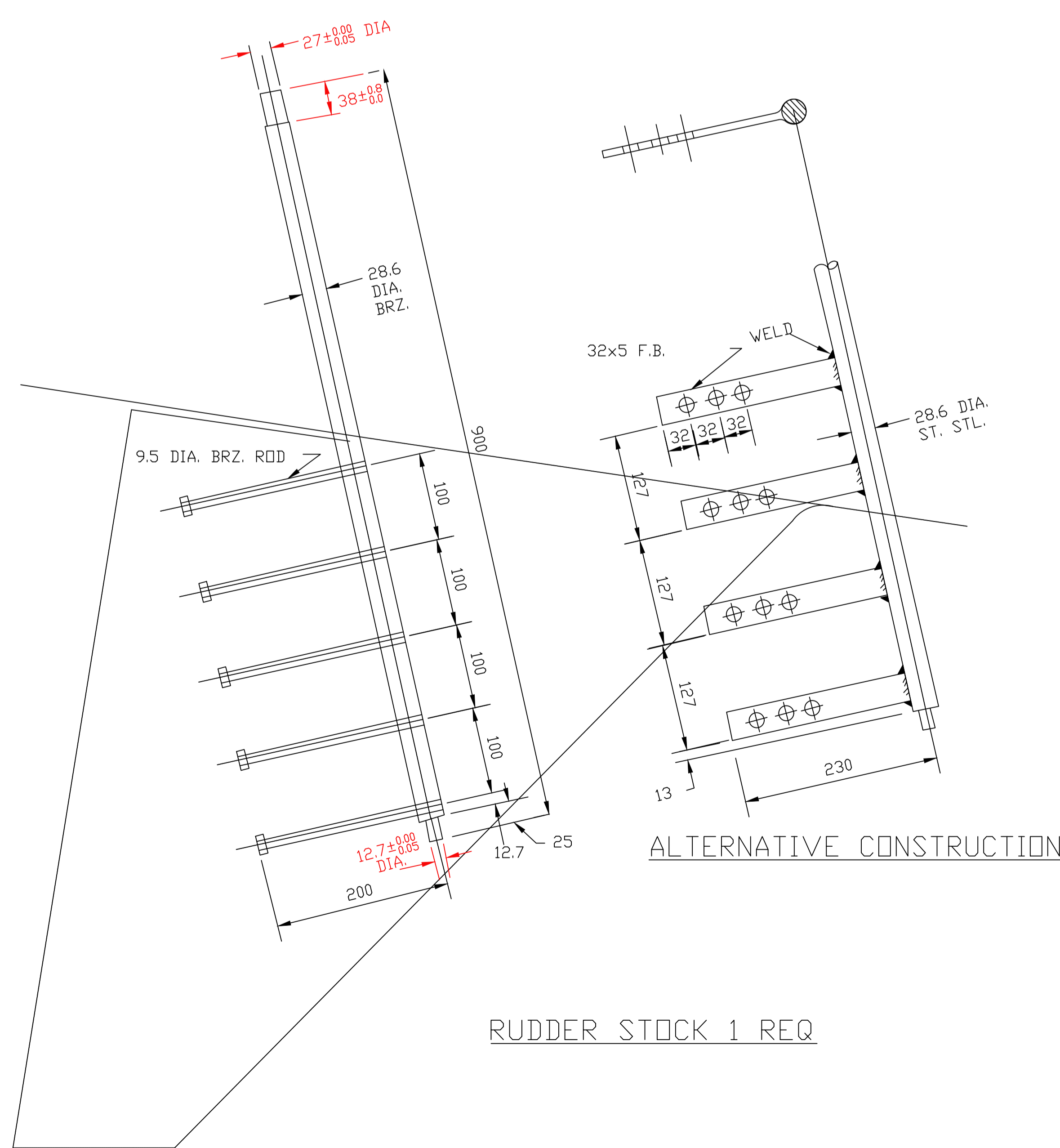


BACKSTAY FITTING 1 REQ.

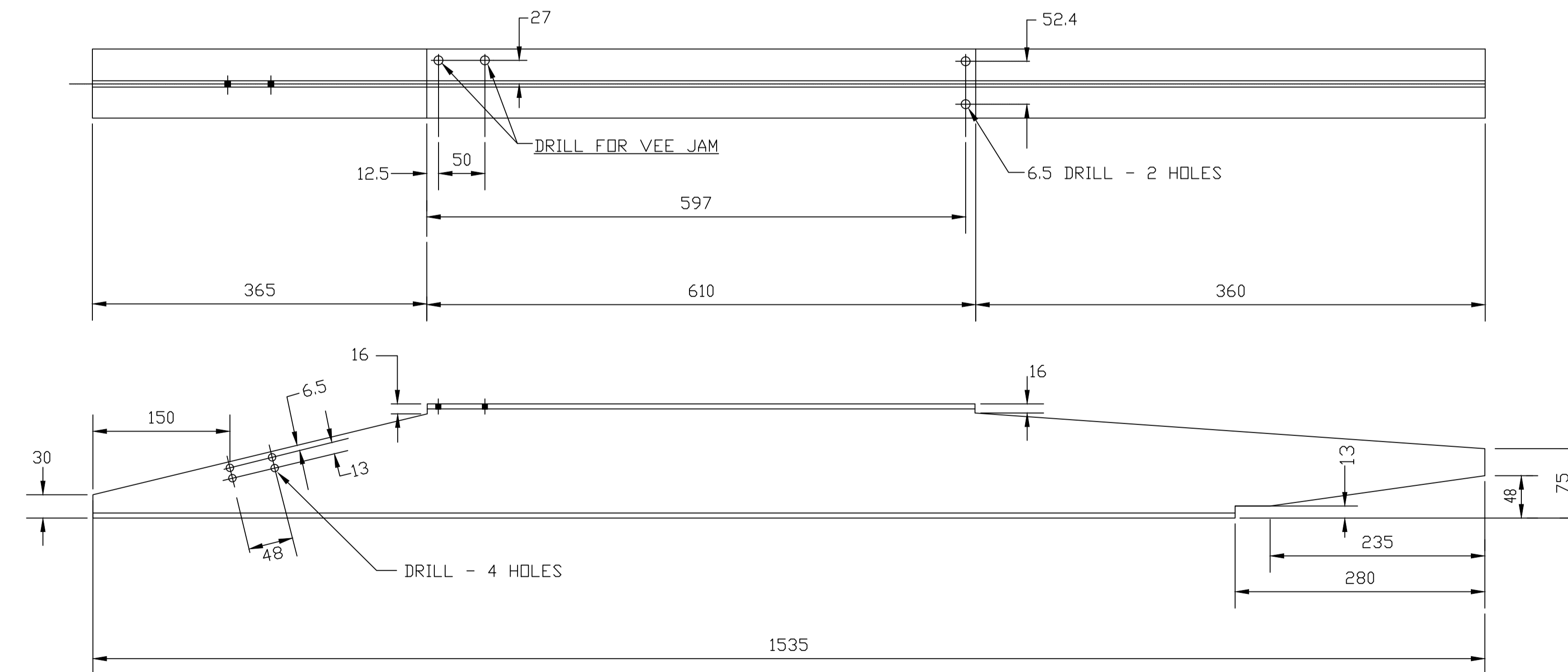


CHAIN PLATE 2 REQ.  
STAINLESS STEEL, THICKNESS 1.6MM MINIMUM

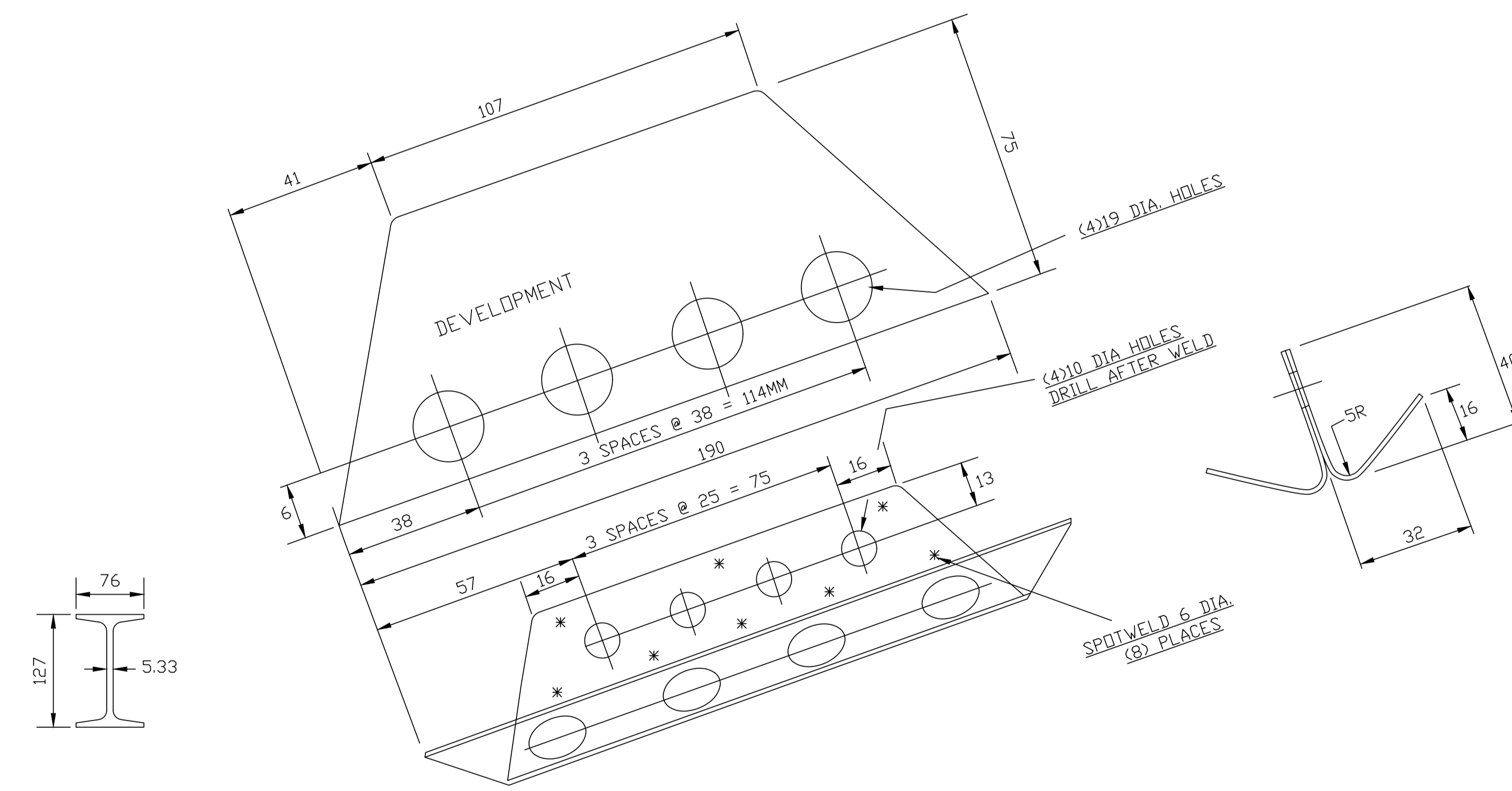


RUDDER STOCK 1 REQ

ALTERNATIVE CONSTRUCTION



MAST STEP 1 REQ  
ALUMINIUM ALLOY  
REFER TO B.S.D.16



FORESTAY FITTING 1 REQ.  
STAINLESS STEEL, THICKNESS 1.6MM MINIMUM

NOTE:  
1. ALL DIMENSIONS ARE GIVEN IN MILLIMETRES.  
2. NUMBERS IN BRACKETS PRECEDED BY # E.G. (#23) REFER TO THE ITEM ON THE MEASUREMENT FORM

CHANGES ARE NOT TO BE MADE TO THE INFORMATION PRESENTED IN THIS CONSTRUCTION SPECIFICATION WITHOUT THE WRITTEN CONSENT OF INTERNATIONAL ETCHHELLS CLASS.

IT IS THE BUILDERS RESPONSIBILITY TO CHECK ALL DIMENSIONS & DRAWING CONTROL, & TO ADVISE ETCHHELLS INTERNATIONAL CLASS OF ANY CHANGES PRIOR TO COMMENCEMENT OF CONSTRUCTION.

CONTROLLING AUTHORITIES:

International Etchells Class Association  
2360 Faber Street  
San Diego, CA 92106 USA  
Phone: +1 619-840-2558  
World Sailings  
P.O. Box 95, De Lord Street, Douglas,  
Isle of Man, IM99 1HP United Kingdom

WHITEHOUSE  
YACHT DESIGN  
info@ywhitehouse.com  
9 Marina Walk, Cowes  
Isle of Wight, PO31 7XJ United Kingdom

REV	DATE	REVISION DETAILS	DRN	CHK	APP
B	17/03/2012	SMAGING LIST 10/13	GV	SR	-
C	09/03/2012	RULE REFERENCE UPDATES	GV	SR	-
B	04/02/2012	CHAINPLATE REQUIRED TOLERANCE ASKED	GV	SR	-
A	09/02/2012	CHECK LIST 312.22 & SPELL CHECK	GV	-	-
P4	04/02/2012	CHECK LIST 312.22	GV	-	-
P3	26/01/2012	GA FOR COMMENT	GV	-	-
P2	14/01/2012	GA FOR COMMENT	GV	-	-
P1	16/01/2011	ORIGINAL ISSUE	TSL	-	CSO

ONE DESIGN FITTINGS  
INTERNATIONAL ETHELLS CLASS  
CLIENT: International Etchells Class Association  
PROJECT: P131  
SCALE: 3MKB-15F  
Dwg No: 1 of 1  
SHT: 1 of 1